

ТЕХНИЧЕСКО ПРЕДЛОЖЕНИЕ

До:
Община Сунгурларе

От:
Стемо ООД

С адрес на управление: гр. Габрово, ул. Николаевска № 48 и адрес за кореспонденция: гр. Бургас ул. Адам Мицкевич №5.

тел: 056 840 608, факс: 056 530 414, e-mail: bs.office@stemo.bg

ЕИК: 817080126

за участие в обществена поръчка с предмет: „Доставка на оборудване и обзавеждане и дидактически материали във връзка с изпълнение на проект № BG05M9OP001-4.003-0030 C01 „Възможности за ранно детско развитие на ромските деца от община Сунгурларе“ по Оперативна програма „Развитие на човешките ресурси“

по обособена позиция № 1,

УВАЖАЕМИ ДАМИ И ГОСПОДА,

1. Декларираме, че сме запознати с указанията и условията за участие в обявената от Вас обществена поръчка. Съгласни сме с поставените от Вас условия и ги приемаме без възражения.

2. Декларираме, че ще изпълним доставката в сроковете регламентирани от възложителя в документите, обявата и Техническата спецификация, а именно: 20 (двадесет) дни.

В случай, че бъдем определени за изпълнител по повече от една обособена позиция, изпълнението на доставката ще се извършва паралелно, в рамките на максимално определения срок от Възложителя.

3. За начало на действие на договора приемаме да се счита датата, на която е подписан договора.





4. Декларираме, че с подаването на офертата се счита, че сме съгласни с всички условия на възложителя, в т.ч. с определения от него срок на валидност на офертите и с проекта на договор.

Заявяваме, че ако поръчката бъде възложена на нас до подписване на договора настоящото предложение ще представлява споразумение между нас и възложителя.

Ние приемаме, че изборът на възложителя е единствено и изключително негово право и не подлежи на обжалване по целесъобразност.

При условие, че бъдем избрани за изпълнител на обществената поръчка ние сме съгласни да представим гаранция обезпечаваща изпълнението на договора в размер на 3 (три процента) % от стойността му.

Към настоящото техническо предложение прилагаме:

1. Предложение на Стемо ООД;



Вид	Специфични технически изисквания на Възложителя / Характеристики	Брой	Предложение на Стемо ООД
Преносим компютър	Процесор не по-малко 1.10 GHz, 4 MB cache, Оперативна памет не по-малко 4096MB 2400MHz, Памет тип DDR4, Твърд диск, тип SSD или HDD, капацитет не по-малко от 256GB M.2 за SSD или 500GB за HDD, Дисплей, inch 15.6" (39.62 cm), Дисплей, резолюция 1366x768, Дисплей, тип AntiGlare, Безжична мрежа 802.11bgn, USB порт 2 USB 2.0, 1 USB 3.0 Ethernet (RJ-45) порт,	3	Acer Aspire 3, A315-32-C434 Процесор Intel Celeron N4100 1.10 GHz, up to 2.6GHz, 4MB cache Оперативна памет 4096MB 2400MHz, Памет тип DDR4, Твърд диск, тип HDD Капацитет 1000GB Дисплей, inch 15.6" (39.62 cm), Дисплей, резолюция 1366x768, Дисплей, тип AntiGlare, Безжична мрежа 802.11bgn, USB порт 2 USB 2.0, 1 USB 3.0 Ethernet (RJ-45) порт,
Преносим компютър с чанта	Процесор не по-малко 1.10 GHz, 4 MB cache, Оперативна памет не по-малко 8192MB 2400MHz, Памет тип DDR4, Твърд диск, тип SSD или HDD, Капацитет не по-малко от 256GB M.2 за SSD или 1TB за HDD, Дисплей, inch 15.6" (39.62 cm), Дисплей, резолюция не по-малко от 1366x768, Дисплей, тип Anti-Glare, Безжична мрежа 802.11bgn, USB порт 2 USB 2.0, 1 USB 3.0 Ethernet (RJ-45) порт	7	Acer Aspire 3, A315-32-C434 Процесор Intel Celeron N4100 1.10 GHz, up to 2.6GHz, 4MB cache Оперативна памет 8192MB 2400MHz Памет тип DDR4, Твърд диск, тип HDD Капацитет 1000GB Дисплей, inch 15.6" (39.62 cm), Дисплей, резолюция 1366x768, Дисплей, тип Anti-Glare, Безжична мрежа 802.11bgn, USB порт 2 USB 2.0, 1 USB 3.0 Ethernet (RJ-45) порт
Мултифункционално лазерно устройство	Достъпни функции - Copy, Email, Fax, Print, Scan, Медия, размер A4; Bypass Tray and Additional Tray: Custom Sizes - 76 x 127 to 216 x 356 mm; Tray 1: Custom Sizes - 99 x 147 to 216 x 356 mm Натоварване, стр./месец Up to 50 000 ppm; Recommended Average Monthly Print Volume: Up to 4000 pages,	1	Xerox WorkCentre 3335 Достъпни функции - Copy, Email, Fax, Print, Scan, Медия, размер A4; Bypass Tray and Additional Tray: Custom Sizes - 76 x 127 to 216 x 356 mm; Tray 1: Custom Sizes - 99 x 147 to 216 x 356 mm Натоварване, стр./месец Up to 50 000 ppm; Recommended Average Monthly Print Volume: Up to 4000 pages,




	<p>Принтер скорост черно, стр./мин Up to 33 ppm (A4, Single Sided), Up to 16 ppm (A4, Two-Sided),</p> <p>Принтер резолюция Up to 1200 x 1200 dpi image quality,</p> <p>Скенер, тип Platen and ADF, Color and Blackand-white,</p> <p>Скенер резолюция Black and White: Optical - 600 x 600 dpi; Enhanced up to 4800 x 4800 dpi,</p> <p>Максимален размер на сканираната област, mm Platen: Up to A4; ADF: 216 x 356 mm,</p> <p>Копир скорост черно, копия/мин Up to 30 cpm (A4, Simplex); Up to 12 cpm (A4, Duplex Speed),</p> <p>Копир резолюция Up to 600 x 600 dpi ,Брой копия 1 to 999, Интерфейс USB 2.0, Мрежа 10/100/1000Base-T Ethernet,</p> <p>Безжична мрежа yes,</p> <p>Двустранен печат Standard</p>		<p>Принтер скорост черно, стр./мин Up to 33 ppm (A4, Single Sided), Up to 16 ppm (A4, Two-Sided),</p> <p>Принтер резолюция Up to 1200 x 1200 dpi image quality,</p> <p>Скенер, тип Platen and ADF, Color and Blackand-white,</p> <p>Скенер резолюция Black and White: Optical - 600 x 600 dpi; Enhanced up to 4800 x 4800 dpi,</p> <p>Максимален размер на сканираната област, mm Platen: Up to A4; ADF: 216 x 356 mm,</p> <p>Копир скорост черно, копия/мин Up to 30 cpm (A4, Simplex); Up to 12 cpm (A4, Duplex Speed),</p> <p>Копир резолюция Up to 600 x 600 dpi ,Брой копия 1 to 999, Интерфейс USB 2.0, Мрежа 10/100/1000Base-T Ethernet,</p> <p>Безжична мрежа yes,</p> <p>Двустранен печат Standard</p>
Мултимедийни проектори	<p>Технология DLP,</p> <p>Яркост, lumens 3 300 ANSI lumens,</p> <p>Контраст 15 000:1,</p> <p>Разд. Способност 1280x800</p> <p>Размер на екрана, inch 60"~300" (152.4 – 762cm),</p> <p>Поддържане на формати Native 16:10 (5 aspect ratio selectable),</p> <p>Входове 2 PC (D-sub), 1 S-Video in, 1 Composite Video in, 1 USB Type Mini B, 1 Audio in, RS232, IR Receiver, Security Bar,</p> <p>Изходи Monitor out, Audio out, HDMI 2 HDMI 1.4a</p>	7	<p>BenQ MW535</p> <p>Технология DLP,</p> <p>Яркост, lumens 3 600 ANSI lumens,</p> <p>Контраст 15 000:1,</p> <p>Разд. Способност 1280x800</p> <p>Размер на екрана, inch 60"~300" (152.4 – 762cm),</p> <p>Поддържане на формати Native 16:10 (5 aspect ratio selectable),</p> <p>Входове 2 PC (D-sub), 1 S-Video in, 1 Composite Video in, 1 USB Type Mini B, 1 Audio in, RS232, IR Receiver, Security Bar,</p> <p>Изходи Monitor out, Audio out, HDMI 2 HDMI 1.4a</p>
Преносими екрани за проектирање	<p>Диагонал, inch 87" (220.98 cm), Размери на скрана (Ш, В), cm 177.8 x 177.8, Формат 1:1</p>	7	<p>Acer M87-S01MW Projection Screen</p> <p>Диагонал, inch 87" (220.98 cm), Размери на скрана (Ш, В), cm 178,0 x 181,0, Формат 1:1</p>

2. Техническа спецификация на предлаганото оборудване;

Към техническото предложение участниците представят каталог на стоките, описание и/или снимки на стоките, които ще се доставят.

Дата: 05.07.2019г.

ПОДПИС И ПЕЧАТ:

Владислав Димитров

Пълномощник



acer

Handwritten signature

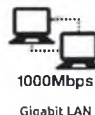


Aspire 3

- Intel® Pentium® Silver Processor¹
- Precision Touchpad
- BlueLightShield™
- Full High-Definition¹

1. Specifications vary depending on model and/or region.

Handwritten signature



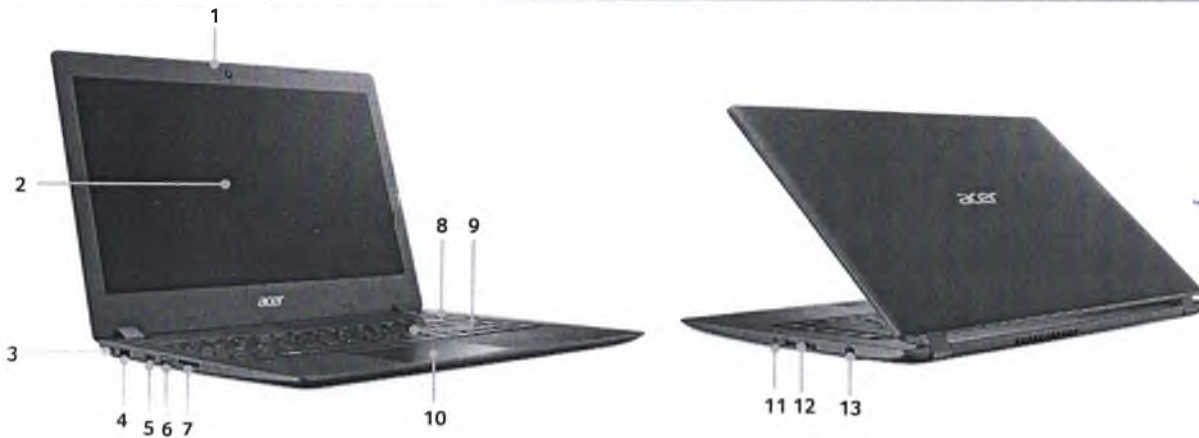
Handwritten signature

СТЕМО
Филиал Бургас
ВЯРНО С
ОРИГИНАЛА

SPECIFICATIONS

Aspire 3

A314-32



Handwritten signature

Product views	1. Webcam 2. 14" display 3. Kensington lock slot 4. Ethernet (RJ-45) port 5. HDMI® port 6. USB 3.0 port 7. SD™ card slot 8. Power button 9. Keyboard 10. Touchpad 11. Headset/speaker jack 12. Two USB 2.0 ports 13. DC-in jack for power adapter
Operating system	Windows 10 Home 64-bit
CPU and chipset¹	Intel® Pentium® Silver N5000 Processor Intel® Celeron® quad-core processor N4100 Intel® Celeron® dual-core processor N4000
Memory¹	DDR4 SDRAM support • 4 GB of single-channel, onboard DDR4 system memory • Up to 8 GB of dual-channel DDR4 system memory
Display	14" Full HD 1920 x 1080, high-brightness Acer ComfyView™ LED-backlit TFT LCD • 16:9 aspect ratio • Ultra-slim design • Mercury free, environment friendly 14" HD 1366 x 768 resolution, high-brightness Acer CineCrystal™ LED-backlit TFT LCD • 16:9 aspect ratio • Ultra-slim design • Mercury free, environment friendly 14" HD 1366 x 768 resolution, Acer ComfyView™ LED-backlit TFT LCD • 16:9 aspect ratio • Ultra-slim design • Mercury free, environment friendly
Graphics¹	Intel® HD Graphics 605 Intel® HD Graphics 600
Audio	Two built-in stereo speakers Built-in digital microphone
Storage¹	Hard disk drive: • 1 TB / 500 GB 2.5-inch 5400 RPM Solid state drive: • 256 / 128 GB, SATA 6 Gb/s
Webcam¹	Acer webcam with: • 640 x 480 resolution
Wireless networking¹	WLAN: • 802.11ac/a/b/g/n wireless LAN • Operates at 2.4 GHz and 5 GHz WPAN: • Bluetooth® 4.0 • Bluetooth® 2.1 LAN: • Gigabit Ethernet, Wake-on-LAN ready
Security control¹	BIOS user, supervisor, HDD passwords Kensington lock slot
Dimensions and weight¹	Dimensions: • 343 (W) x 245 (D) x 19.95 (H) mm (13.5 x 9.65 x 0.79 inches) Weight: • 1.65 kg (3.64 lbs.) with 2-cell battery pack
Power adapter and battery¹	Power adapter: • 3-pin 45 W AC adapter; Battery: • 37 Wh 4810 mAh 7.7 V 2-cell Li-ion battery • Battery life up to 6.5 hours ACPI 5.0 CPU power management standard: supports Standby and Hibernation power-saving modes
Input and control	Keyboard: 86-/87-/91-key Acer FineTip keyboard with international language support Touchpad: Multi-gesture touchpad, supporting two-finger scroll; pinch; gestures to open Cortana, Action Center, multitasking; application commands • Microsoft Precision Touchpad certification • Moisture resistant
Windows Desktop apps	• Acer Care Center • Acer Collection • Acer Configuration Manager • Quick Access • Office 2016
Options and accessories	3-pin 45 W AC adapter
Warranty	One-year International Travelers Warranty (ITW)
1.	Specifications vary depending on model.
2.	64-bit software is required to enjoy the advantages of 64-bit processing.
3.	Shared system memory may be allocated to support graphics, depending on system memory size and other factors. Actual system memory available to the operating system will be reduced by any memory used by the graphics solution and resources required by the operating environment.
4.	Memory speed may vary, depending on the CPU, chipset or memory fitted.
5.	1 GB is 1 billion bytes, 1 TB is 1000 GB. Actual formatted capacity is less and may vary depending on preloaded materials and operating environment. Recovery Management uses a portion of the stated hard disk capacity as dedicated backup space.
6.	Weight may vary depending on product configuration, vendor components, manufacturing variability, and selected options.
7.	Listed battery life is based on MobileMark 2014® productivity mode testing with wireless on. Details of MobileMark 2014 testing are available at www.bapco.com . Battery life rating is for comparison purposes only. Actual battery life varies by model, configuration, application, power management settings, operating conditions, and features used. A battery's maximum capacity decreases with time and use. Bundled software may vary depending on hardware configuration, OS and regional availability.
8.	

Handwritten signature

In a continuing effort to improve the quality of our products, information in this document is subject to change without notice. Images shown are only representations of some of the configurations available for this model. Availability may vary depending on region. As a phenomenon known to thin-film transistors (TFTs), liquid crystal displays (LCDs) commonly exhibit a small number of discoloration dots, as so-called "non-conforming pixels." This phenomenon is a limitation of TFT LCD technology, not a product defect, and as such is not covered by Acer's warranty.

© 2017. All rights reserved. Microsoft and Windows are registered trademarks of Microsoft Corporation. Intel, Intel Core, Core Inside, Pentium, and Pentium Inside are trademarks of Intel Corporation in the U.S. and other countries.

About Acer

Founded in 1976, Acer is now one of the world's top ICT companies and has a presence in over 160 countries. As Acer looks into the future, it is focused on enabling a world where hardware, software and services will fuse with one another to open up new possibilities for consumers and businesses alike. From service-oriented technologies to the Internet of Things to gaming and virtual reality, Acer's 7,000+ employees are dedicated to the research, design, marketing, sale, and support of products and solutions that break barriers between people and technology. Please visit www.acer.com for more information.

Handwritten signature

Xerox® WorkCentre® 3335/3345 Multifunction Printer



Handwritten signature

System Specification	WorkCentre 3335	WorkCentre 3345
One-Sided Speed A4 / 210 x 297 mm 216 x 356 mm	Up to 33 ppm Up to 28 ppm	Up to 40 ppm Up to 34 ppm
Two-Sided Speed A4 / 210 x 297 mm 216 x 356 mm	Up to 16 ppm Up to 14 ppm	Up to 20 ppm Up to 17 ppm
Monthly Duty Cycle¹	Up to 50,000 pages / month	Up to 80,000 pages / month
Recommended Average Monthly Print Volume²	Up to 4,000 pages	Up to 6,000 pages
Processor	1 GHz	
Memory	1.5 GB	
Connectivity	USB 2.0 10/100/1000Base-T Ethernet Wi-Fi	
Paper Handling	WorkCentre 3335	WorkCentre 3345
Document Feeder		
Capacity¹	Automatic Document Feeder (ADF): 50 sheets	Reversing Automatic Document Feeder (RADF): 50 sheets
Sizes	Custom Sizes: 142 x 148 mm to 216 x 356 mm	
Weights	60 to 105 gsm	50 to 105 gsm
Bypass Tray		
Capacity¹	50 sheets	50 sheets
Sizes	Custom Sizes: 76 x 127 mm to 216 x 356 mm	
Weights	60 to 220 gsm	
Media Types	Archive Bond Card Stock Custom Envelopes Heavyweight Labels Lightweight Plain Preprinted Recycled Transparencies	
Tray 1		
Capacity¹	250 sheets	
Sizes	Custom Sizes 99 x 147 mm to 216 x 356 mm	
Weights	60 to 163 gsm	

Handwritten signature

Handwritten signature

СТЕМО
Филиал Бург
**ВАРНО С
ОРИГИНАЛА**

Xerox® WorkCentre® 3335/3345 Multifunction Printer

Tray 1	
Media Types	Archive Bond Card Stock Heavyweight Lightweight Plain Recycled
Additional Tray	
Capacity¹	550 sheets
Sizes	Custom Sizes: 76 x 127 mm to 216 x 356 mm
Weights	60 to 163 gsm
Media Types	Archive Bond Card Stock Heavyweight Lightweight Plain Recycled
Total Capacity	
Device Standard Capacity¹	300 sheets
Device Total Capacity¹	850 sheets
Paper Output	
Output Capacity¹	150 sheets
Automatic 2-Sided	Standard
Device Specification	WorkCentre 3335 WorkCentre 3345
Electrical Requirements	
Europe	220-240 VAC +/- 10%, 50/60 Hz +/- 3 Hz, 5A
Power Consumption	
Operation²	Maximum 700 watts
Standby Mode²	Maximum 50 watts
Power Off Mode²	Maximum 0.1 watts
Sleep Mode²	Maximum 3.5 watts
Warm-up (from Sleep Mode)	As fast as 35 seconds
Operating Environment	
Required Temperature Range	
Storage	0°C to 40°C
Operating	10°C to 32°C
Required Relative Humidity	20% to 80%
Sound Power Levels	
Operating	55 dB(A) or less
Standby	26 dB(A) or less
Sound Pressure Levels	
Operating	55 dB(A) or less
Standby	26 dB(A) or less
Dimensions and Weight (unpacked)	
WorkCentre 3335	Width: 414.6 mm Depth: 420.6 mm Height: 449 mm Weight: 15.51 kg
WorkCentre 3345	Width: 469 mm Depth: 444.3 mm Height: 482.6 mm Weight: 17.27 kg

Handwritten signature

Handwritten signature

Handwritten signature



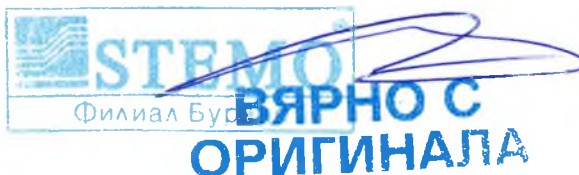
Xerox® WorkCentre® 3335/3345 Multifunction Printer

Dimensions and Weight (unpacked)	
550-sheet Paper Tray	Width: 366 mm Depth: 454 mm Height: 146 mm Weight: 5.36 kg
Dimensions and Weight (packaged)	
WorkCentre 3335	Width: 533 mm Depth: 549 mm Height: 600 mm Weight: 19.26 kg
WorkCentre 3345	Width: 588 mm Depth: 549 mm Height: 626 mm Weight: 21.4 kg
550-sheet Paper Tray	Width: 563 mm Depth: 497 mm Height: 285 mm Weight: 7.62 kg

System Certification/Regulatory Compliance

Certifications	
	FCC Part 15 Class A FCC Part 68 CE Mark applicable to Directives 2006/95/EC, 2004/108/EC and 1999/5/EC UL 60950-1/CSA 60950-1-07, 2nd Edition Section 508 NOM GS Mark EAC RoHS Directive 2011/65/EU WEEE Directive 2012/19/EU Citrix™ Certified Cerner (undergoing evaluation) Apple® AirPrint® 1.5 certification Google Cloud Print™ 2.0 Certification Mopria® certified Wi-Fi Alliance Certified Blue Angel MEDITECH ENERGY STAR® ECOLOGO® EPEAT (United States) To view the latest list of certifications, go to www.xerox.com/OfficeCertifications .

Copy	WorkCentre 3335	WorkCentre 3345
Document Scanner	Automatic Document Feeder with 50-sheet capacity	Reversing Automatic Document Feeder with 50-sheet capacity
Document Scanner Size	Platen: Up to A4 ADF: 216 x 356 mm	Platen: Up to A4 RADF: 216 x 356 mm
Simplex Speed	Up to 30 cpm (copies per minute) A4 / 210 x 297 mm	Up to 40 cpm (copies per minute) A4 / 210 x 297 mm
Duplex Speed	Up to 12 cpm (copies per minute) A4 / 210 x 297 mm	Up to 8.4 cpm (copies per minute) A4 / 210 x 297 mm
First-Copy-Out Time	As fast as 13 seconds from the Platen	
Sides (input:output)	1:1 and 1:2	1:1, 1:2, 2:2, and 2:1
Quantity	1 to 999	
Resolution	Up to 600 x 600 dpi	
Reduction/Enlargement	Variable zoom from 25% to 400% in 1% increments	
Concurrency	Concurrent scanning and printing	



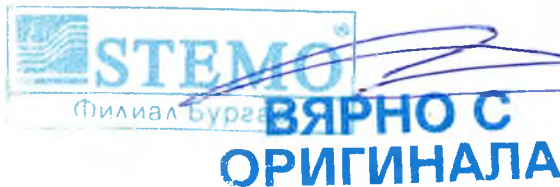
Xerox® WorkCentre® 3335/3345 Multifunction Printer

Handwritten signature

Copy	WorkCentre 3335	WorkCentre 3345
Copy Features	Automatic Background Suppression Darkness Control ID Card Copy Margin Shift N-up Job Build Photo Mode Programme Ahead Booklet Creation Book Copying with Centre Erase Edge Erase Job Interrupt Poster Copying	
Print	WorkCentre 3335	WorkCentre 3345
First-Page-Out Time	As fast as 6.5 seconds ¹	
Resolution	Up to 1200 x 1200 dpi image quality	
Page Description Languages	PostScript 3 compatible PCL® Se, 6 PDF Direct TIFF JPEG	
Maximum Print Area	4 mm from all edges	
Print Features	Watermarks Collation Automatic Two-sided Printing N-up Poster Printing Booklet Print Custom Page Size Fit to Page Scaling Draft Mode Earth Smart Printing Print from USB Job Scheduling Print from Local Drive Save Save and Print	
Print from USB	Allows walk-up printing from Type A USB port Supports direct printing from computer via Type B USB port Supported file formats: PDF, JPEG, TXT, TIFF, PS, XPS, PCL	
Operating Systems	Microsoft® Windows® Vista and later Mac OS™ 10.8.x and later Various Linux® and Unix distributions	
Network Protocols	TCP/IP: HTTP/HTTPS, IPP, LPR/LDP, Raw Socket Printing/Port 9100, IPv4/IPv6, WSD NetWare: Bindery and NDS IPX/SPX, NDPS®/NEPS (with Server Gateway) AppleTalk®: EtherTalk® Microsoft Windows Networking over IP Bonjour® / Airprint® IPv6 Secure FTP Most protocols not in use can be disabled	
Administrative Protocols	DHCP, SNMP, WINS, SLP® v2, HTTP, HTTPS, DHCP Autonet, TLS, NTP, MDNS, SSDP	
Font Capability	136 PostScript fonts 111 scalable PCL fonts 1 Bitmap PCL font	
Mobile Solutions and Mobile Device Apps		
Xerox® Mobile Express Driver®	Makes it easy for mobile users to find, use and manage Xerox® and non Xerox® devices in every new location. Plug into a new network, and Mobile Express Driver automatically discovers available printers and provides status and capability information. Save a list of "favourite" printers for each location, store application print settings for use on any printer in any network, and greatly reduce mobile support calls to IT.	
Xerox® Global Print Driver®	A truly universal print driver that lets IT administrators install, upgrade and manage Xerox® and non Xerox® devices from a single driver. It provides a consistent, easy-to-use interface for end-users, reducing the number of support calls, and simplifying print services management.	

Handwritten signature

Handwritten signature



Xerox WorkCentre 3335/3345 Multifunction Printer

Mobile Solutions and Mobile Device Apps		
Apple® AirPrint®	Print email, photos and important office documents directly from an Apple iPhone® or iPad® with no drivers to install and no cables to connect. With AirPrint, an iPhone or iPad automatically locates and connects to the AirPrint-enabled device over the office Wi-Fi network.	
Google Cloud Print™	Google Cloud Print connects print devices to the web, enabling users to print the applications they use every day from smartphones, tablets, Chromebook™ notebook computers and any other web-connected device.*	
Xerox™ Print Service Plug-in for Android™ (Free at Google Play™ Store)	The Xerox™ Print Service Plug-in for Android KitKat (4.4 or greater) devices streamlines mobile printing without third-party apps or additional print drivers. You can easily print photos, Web pages and documents when your mobile device is connected to multifunction printers using a wireless network. A robust print option set includes two-sided printing, stapling and secure code release. A free download is available from the Google Play™ store.	
Scan	WorkCentre 3335	WorkCentre 3345
Capability	Colour and Black-and-white	
Concurrency	Scan while the system is printing copy or network print jobs, or while it is transferring scan to network or fax jobs	
Input Speed - Black and White	Scan up to 20 ipm – A4 / 210 x 297 mm	Scan up to 24 ipm – A4 / 210 x 297 mm
Input Speed - Colour	Scan up to 6 ipm – A4 / 210 x 297 mm	Scan up to 8 ipm – A4 / 210 x 297 mm
Resolution	Black and White: Optical – 600 x 600 dpi Enhanced up to 4800 x 4800 dpi	
Bit Depth	8-bit Greyscale	
Maximum Scan Area	Platen: Up to A4 Document Feeder: Up to 216 x 356 mm	
Network Filing Protocol	FTP SMB/SMB2 SMTP/POP3	
File Formats	PDF Single-page and Multi-page TIFF JPEG BMP	
Scan Driver Compatibility	WIA TWAIN	
Supported Scan Destinations	Scan to Email (SMTP/POP3) Scan to WSD Scan to Application (TWAIN Network) Scan to WSD (WSD Scan) Scan to Mac 10.9 or later (Network/Mac ICA) Scan to USB Scan to Network Computer (SMB/FTP) Scan to Folder	
Security	WorkCentre 3335	WorkCentre 3345
Security Features	802.1x Secure HTTPS (SSL/TLS) Secure IPP Secure Print SSL IP Filtering IPv6 SNMP v3 WEP (64-/128-bit) WPA2-PSK (AES) WPA / WPA2-Personal WPA / WPA2-Enterprise Network Address Book Authentication (LDAP, Windows Kerberos)	
WiFi Security	Authentication Method	Encryption
	Open WPA PSK WPA PSK / WPA2 PSK WPA Enterprise WPA Enterprise / WPA2™ Enterprise WPA Enterprise Authentication Method options: • PEAPVO MS-CHAPV2 • EAP-TLS • EAP-TTLS PAP • EAP-TTLS CHAP	WEP 64 / 128-bit ASCII / HEX TKIP AES TKIP AES



Xerox® WorkCentre® 3335/3345 Multifunction Printer

Handwritten signature

Fax'	WorkCentre 3335	WorkCentre 3345
Fax Speed	33 Kbps	
Memory	5 MB	50 MB
Resolution	Up to 300 x 300 dpi (Super-Fine/Photo) resolution Up to 203 x 196 dpi (Fine) resolution Up to 203 x 98 dpi (Standard) resolution	
Compression	MH/MR/MMR/JBIG/JPEG	
Fax Features	Address Book (Up to 200 speed dials, 209 group dials) Auto Redial Auto Reduction Colour Fax Send Delayed Send Fax Forward to Email/Fax Junk fax Protection Memory Receive PC Fax (Windows only) Secure Fax	
Device Management		
Xerox® CentreWare® Web		
Device Status	Web server embedded • Tray status/contents • Consumables status	
Print Queue Viewing	Complete job print queue management—hold, release, promote and delete	
Job Submission	Print-ready files (PS, PCL®5c/6, PDF, TIFF) Output feature selection	
Device Administration	Allows simple, remote installation setting of configuration options and management of the device.	
Browsers	Microsoft® Internet Explorer 6, 7 Firefox® 2, 3 Safari® 3.0	
Xerox® CentreWare® Internet Services – Integrated Device Web Page		
	<ul style="list-style-type: none"> • A Web-based server application for network administrators that permits web browser-based device management from any workstation, whether running Windows or UNIX or any other operating system • Works with any SNMP-managed printer from any manufacturer • Provides help with device discovery and installations, health checks and troubleshooting, and device upgrades, as well as basic accounting and asset management. 	
Xerox® Standard Accounting (Standard)		
Tracking	Copy, Print, Fax, Scan and Email usage	
Accounting	Up to 1,000 User accounts (User ID) Up to 500 General accounts (Client) Up to 500 Group accounts (Department)	
Features	<ul style="list-style-type: none"> • Administrator can manage the feature via the Web User Interface or device control panel in tools. • Administrator has the ability to import or export user accounts, Group Accounts, General Accounts and User limits via an industry standard CSV file. 	
Remote Print Services		
Automated Meter Reading (AMR)	Automates the process of collecting and submitting meter reads for tracking and billing of Xerox® device usage. Eliminates the need for time-consuming end-user involvement and ensures that meter reads are submitted to Xerox on time.	
Automated Supplies Replenishment (ASR)	Automatically orders supplies for Xerox® output devices based on actual usage, eliminating the need to manually manage supplies inventory.	
What's In The Box		
	<ul style="list-style-type: none"> • WorkCentre 3335 Multifunction Printer or WorkCentre 3345 Multifunction Printer • Standard Capacity Print cartridge: 2,600 pages⁹ • Software and Documentation CD (with Safety, Regulatory, Recycling and Disposal Guides), Print Drivers and Warranty Statement • Installation Guide • Quick Use Guides • Power cord • Fax cord 	
Supplies and Accessories	Quantity	Part Number
Supplies		
Extra-High Capacity Print Cartridges	15,000 standard pages ⁹	106R03624

Handwritten signature

Handwritten signature



**ВЯРНО С
ОРИГИНАЛА**

[Handwritten signature]

Supplies and Accessories	Quantity	Part Number
Supplies		
High Capacity Print Cartridges	8,500 standard pages ¹	106R03622
Standard Capacity Print Cartridges	2,600 standard pages ²	106R03620
Drum Cartridge	30,000 standard pages ³	101R00555
Accessories		
550-sheet Paper Tray		097N02254
Near Field Communication (NFC) Enablement Kit		097N02255
Card Reader Enablement Kit (with Card Reader)		497K17980
Card Reader Enablement Kit (without Card Reader)		497K17990

¹ Maximum volume capacity expected in any one month. Not expected to be sustained on a regular basis.
² Expected regular monthly throughput.
³ Paper capacities are based on 75 gsm stock; capacities will vary with different weight stocks.
 * Power states defined per ENERGY STAR[®] Programme requirements for Imaging Equipment.
 Printing from USB.
 Depending on the specific mobile device, versions or vendor, the mobile device may require a free download of the app from the appropriate store(s).
 Requires analogue phone line.
⁴ Average standard pages. Declared Yield in accordance with ISO/IEC19752. Yield will vary based on image, area coverage and print mode.
⁵ Approximate pages. Declared Yield based on A4-size 75 gsm pages. Yield will vary based on media type, size, weight, orientation, and usage patterns.

[Handwritten signature]

[Handwritten signature]



**ВЯРНО С
ОРИГИНАЛА**

Handwritten signature

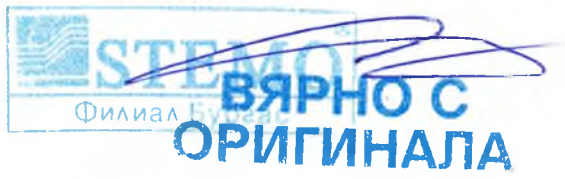
Handwritten signature

Return spent imaging supplies through the Xerox Green World Alliance collection/reuse/recycling programme.
For more information, visit www.xerox.com/about-xerox/recycling.



©2016 Xerox Corporation. All rights reserved. Xerox®, Xerox and Design®, CentreWare®, Global Print Driver®, Mobile Express Driver®, and WorkCentre® are trademarks of Xerox Corporation in the United States and/or other countries. Mopria is a trademark of the Mopria Alliance. As an ENERGY STAR® partner, Xerox Corporation has determined that this product meets the ENERGY STAR guidelines for energy efficiency. ENERGY STAR and the ENERGY STAR mark are registered U.S. marks. The information in this brochure is subject to change without notice.
9/16 BR19338 3335S-02ED

Handwritten signature



Specifications

 All specifications are subject to change without notice.

Optical

Resolution

MS535/MS535A: 800 x 600 SVGA
MX535: 1024 x 768 XGA
MW535/TW535/MW535A: 1280 x 800
WXGA
MH535/MH535A/TH535/MH535FHD: 1920 x
1080 1080p

Display system

I-CHIP DMD

Lens F/Number

SVGA/XGA/WXGA:

F = 2.42 to 2.62

f = 22 to 25.79 mm

1080p:

F = 2.47 to 2.66

f = 20.4 to 24.48 mm

Offset

SVGA: 106.7±5%

XGA: 106±5%

WXGA: 103.8±5%

1080p: 107±5%

Zoom ratio

1.2X

Lamp

210 W lamp

Electrical

Power supply

AC100-240V, 2.60 A,

50-60 Hz (Automatic)

Power consumption

SVGA/XGA/WXGA:

260 W (Max); < 0.5 W (Standby)

1080p:

267 W (Max); < 0.5 W (Standby)

Mechanical

Weight

2.6 kg (5.7 lbs)

Output terminals

RGB output

D-Sub 15-pin (female) x 1

Speaker

(Stereo) 2 watt x 1

Audio output

PC audio jack x 1

Control

RS-232 serial control

9 pin x 1

IR receiver x 1

USB mini-B x 1

Input terminals

Computer input

RGB input

D-Sub 15-pin (female) x 2

Video signal input

S-VIDEO

Mini DIN 4-pin port x 1

VIDEO

RCA jack x 1

SD/HDTV signal input

Analog - Component RCA jack x 3
(through RGB input)

Digital-HDMI x 2

Audio signal input

Audio in

PC audio jack x 1

Environmental Requirements

Temperature

Operating: 0°C-40°C at sea level

Storage: -20°C-60°C at sea level

Relative humidity

Operating: 10%-90% (without condensation)

Storage: 10%-90% (without condensation)

Altitude

Operating: 0-1499 m at 0°C-35°C; 1500-3000
m at 0°C-30°C (with High Altitude Mode on)

Storage: 0-12200 m at 30°C

Transporting

Original packing or equivalent is recom-
mended.

Repairing

Please visit below website and choose your
country to find your service contact window.
<http://www.benq.com/welcome>

 Lamp life results will vary depending on environmental conditions and usage.

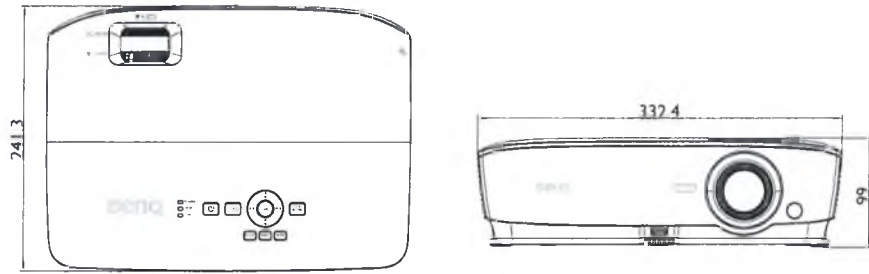


**ВЯРНО С
ОРИГИНАЛА**

Dimensions

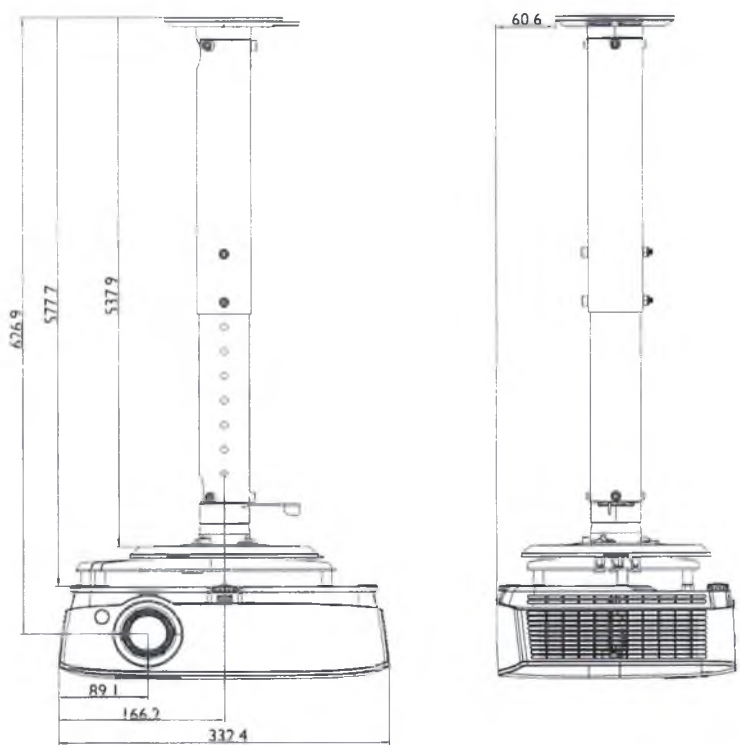
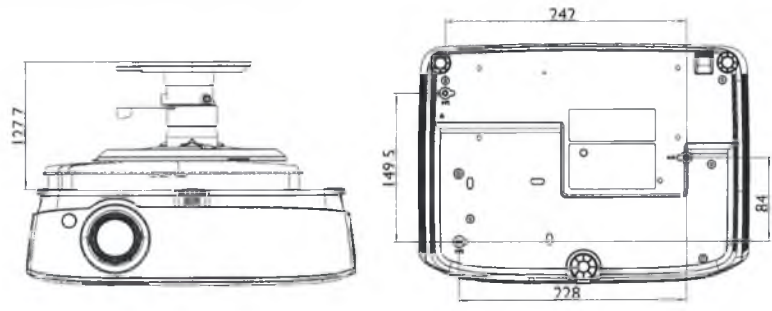
332.4 mm (W) x 99 mm (H) x 241.3 mm (D)

Handwritten signature



Ceiling mount installation

Ceiling mount screw: M4
(Max L = 25 mm; Min L=20 mm)
Unit: mm



Handwritten signature

Handwritten signature



Timing chart

I. VGA Analog

Supported timing for PC input

Resolution	Timing	Horizontal Frequency (KHz)	Vertical Frequency (Hz)	Pixel Frequency (MHz)	3D Field Sequential	3D top bottom	3D side by side
640 x 480	VGA_60	59.94	31.469	25.175	⊙	⊙	⊙
	VGA_72	72.809	37.861	31.500			
	VGA_75	75	37.5	31.500			
	VGA_85	85.008	43.269	36.000			
720 x 400	720 x 400_70	70.087	31.469	28.3221			
800 x 600	SVGA_60	60.317	37.879	40.000	⊙	⊙	⊙
	SVGA_72	72.188	48.077	50.000			
	SVGA_75	75	46.875	49.500			
	SVGA_85	85.061	53.674	56.250			
	SVGA_120 (Reduce Blanking)	119.854	77.425	83.000	⊙		
1024 x 768	XGA_60	60.004	48.363	65.000	⊙	⊙	⊙
	XGA_70	70.069	56.476	75.000			
	XGA_75	75.029	60.023	78.750			
	XGA_85	84.997	68.667	94.500			
	XGA_120 (Reduce Blanking)	119.989	97.551	115.5	⊙		
1152 x 864	1152 x 864_75	75	67.5	108			
1024 x 576	BenQ Notebook Timing	60	35.82	46.966			
1024 x 600	BenQ Notebook Timing	64.995	41.467	51.419			
1280 x 720	1280 x 720_60	60	45	74.250	⊙	⊙	⊙
	1280 x 720_120	120	90.000	148.500	⊙		
1280 x 768	1280 x 768_60	59.87	47.776	79.5	⊙	⊙	⊙
1280 x 800	WXGA_60	59.81	49.702	83.500	⊙	⊙	⊙
	WXGA_75	74.934	62.795	106.500			
	WXGA_85	84.88	71.554	122.500			
	WXGA_120 (Reduce Blanking)	119.909	101.563	146.25	⊙		
1280 x 1024	SXGA_60	60.02	63.981	108.000		⊙	⊙
	SXGA_75	75.025	79.976	135.000			
	SXGA_85	85.024	91.146	157.500			
1280 x 960	1280 x 960_60	60	60	108.000		⊙	⊙
	1280 x 960_85	85.002	85.938	148.500			
1360 x 768	1360 x 768_60	60.015	47.712	85.5		⊙	⊙
1440 x 900	WXGA+_60	59.887	55.935	106.500		⊙	⊙
1400 x 1050	SXGA+_60	59.978	65.317	121.750		⊙	⊙



1600 x 1200	UXGA	60	75	162.000		⊙	⊙
1680 x 1050	1680 x 1050_60	59.954	65.29	146.25		⊙	⊙
640 x 480 @67Hz	MAC13	66.667	35	30.240			
832 x 624 @75Hz	MAC16	74.546	49.722	57.280			
1024 x 768 @75Hz	MAC19	75.02	60.241	80.000			
1152 x 870 @75Hz	MAC21	75.06	68.68	100.000			

- The timings showing above may not be supported due to EDID file and VGA graphic card limitations. It is possible that some timings cannot be chosen.

Supported timing for Component-YPbPr input

Timing	Resolution	Horizontal Frequency (KHz)	Vertical Frequency (Hz)	Pixel Frequency (MHz)	3D Field Sequential
480i	720 x 480	15.73	59.94	13.5	⊙
480p	720 x 480	31.47	59.94	27	⊙
576i	720 x 576	15.63	50	13.5	
576p	720 x 576	31.25	50	27	
720/50p	1280 x 720	37.5	50	74.25	
720/60p	1280 x 720	45.00	60	74.25	⊙
1080/50i	1920 x 1080	28.13	50	74.25	
1080/60i	1920 x 1080	33.75	60	74.25	
1080/24P	1920 x 1080	27	24	74.25	
1080/25P	1920 x 1080	28.13	25	74.25	
1080/30P	1920 x 1080	33.75	30	74.25	
1080/50P	1920 x 1080	56.25	50	148.5	
1080/60P	1920 x 1080	67.5	60	148.5	

2. HDMI Digital

Supported timing for PC input

Resolution	Timing	Horizontal Frequency (KHz)	Vertical Frequency (Hz)	Pixel Frequency (MHz)	3D Field Sequential	3D top bottom	3D side by side
640 x 480	VGA_60	59.94	31.469	25.175	⊙	⊙	⊙
	VGA_72	72.809	37.861	31.500			
	VGA_75	75	37.5	31.500			
	VGA_85	85.008	43.269	36.000			
720 x 400	720 x 400_70	70.087	31.469	28.3221			
800 x 600	SVGA_60	60.317	37.879	40.000	⊙	⊙	⊙
	SVGA_72	72.188	48.077	50.000			
	SVGA_75	75	46.875	49.500			
	SVGA_85	85.061	53.674	56.250			
	SVGA_120 (Reduce Blanking)	119.854	77.425	83.000	⊙		

1024 x 768	XGA_60	60.004	48.363	65.000	◎	◎	◎
	XGA_70	70.069	56.476	75.000			
	XGA_75	75.029	60.023	78.750			
	XGA_85	84.997	68.667	94.500			
	XGA_120 (Reduce Blanking)	119.989	97.551	115.5	◎		
1152 x 864	1152 x 864_75	75	67.5	108			
1024 x 576	BenQ Notebook Timing	60	35.82	46.966			
1024 x 600	BenQ Notebook Timing	64.995	41.467	51.419			
1280 x 720	1280 x 720_60	60	45	74.250	◎	◎	◎
1280 x 768	1280 x 768_60	59.87	47.776	79.5	◎	◎	◎
1280 x 800	WXGA_60	59.81	49.702	83.500	◎	◎	◎
	WXGA_75	74.934	62.795	106.500			
	WXGA_85	84.88	71.554	122.500			
	WXGA_120 (Reduce Blanking)	119.909	101.563	146.25	◎		
1280 x 1024	SXGA_60	60.02	63.981	108.000		◎	◎
	SXGA_75	75.025	79.976	135.000			
	SXGA_85	85.024	91.146	157.500			
1280 x 960	1280 x 960_60	60	60	108.000		◎	◎
	1280 x 960_85	85.002	85.938	148.500			
1360 x 768	1360 x 768_60	60.015	47.712	85.5		◎	◎
1440 x 900	WXGA+_6 0	59.887	55.935	106.500		◎	◎
1400 x 1050	SXGA+_60	59.978	65.317	121.750		◎	◎
1600 x 1200	UXGA	60	75	162.000		◎	◎
1680 x 1050	1680 x 1050_60	59.954	65.29	146.25		◎	◎
640 x 480 @67Hz	MAC13	66.667	35	30.240			
832 x 624 @75Hz	MAC16	74.546	49.722	57.280			
1024 x 768 @75Hz	MAC19	75.02	60.241	80.000			
1152 x 870 @75Hz	MAC21	75.06	68.68	100.000			
1920 x 1080	1920 x 1080_60	67.5	60	148.5		◎	◎
1920 x 1200	1920 x 1200_60 (Reduce Blanking)	59.95	74.038	154.000		◎	◎

The timings showing above may not be supported due to EDID file and VGA graphic card limitations. It is possible that some timings cannot be chosen.

Handwritten signature

Supported timing for video input

Timing	Resolution	Horizontal Frequency (KHz)	Vertical Frequency (Hz)	Pixel Frequency (MHz)	3D Field Sequential	3D Frame Packing	3D Top-Bottom	3D Side by Side
480i	720 (1440) x 480	15.73	59.94	27	⊙			
480p	720 x 480	31.47	59.94	27	⊙			
576i	720 (1440) x 576	15.63	50	27				
576p	720 x 576	31.25	50	27				
720/50p	1280 x 720	37.5	50	74.25		⊙	⊙	⊙
720/60p	1280 x 720	45.00	60	74.25	⊙	⊙	⊙	⊙
1080/50i	1920 x 1080	28.13	50	74.25				⊙
1080/60i	1920 x 1080	33.75	60	74.25				⊙
1080/24P	1920 x 1080	27	24	74.25		⊙	⊙	⊙
1080/25P	1920 x 1080	28.13	25	74.25				
1080/30P	1920 x 1080	33.75	30	74.25				
1080/50P	1920 x 1080	56.25	50	148.5			⊙	⊙
1080/60P	1920 x 1080	67.5	60	148.5			⊙	⊙

3. Video/S-Video

Supported timing for Video input

Video mode	Horizontal Frequency (kHz)	Vertical Frequency (Hz)	Color sub-carrier Frequency (MHz)	3D Field Sequential
NTSC	15.73	60	3.58	⊙
PAL	15.63	50	4.43	
SECAM	15.63	50	4.25 or 4.41	
PAL-M	15.73	60	3.58	
PAL-N	15.63	50	3.58	
PAL-60	15.73	60	4.43	
NTSC4.43	15.73	60	4.43	

Handwritten signature

Handwritten signature

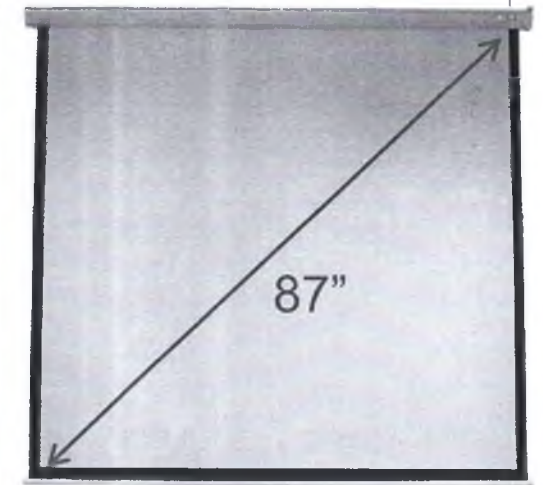


Wall & Ceiling Manual Screen

- M87-S01MW



Model No.	M87-S01MW
Screen type	Wall & Ceiling Manual, Front Projection
Aspect ratio	1:1
Projection size (diagonal)	87"(4:3)
Projection area	1740mm (W) x 1740mm (H)
Projection screen size	1780mm (W) x 1810mm (H)
Screen thickness	0.38mm
Maximum height	1915mm from top cover of case to the rod of screen bottom
Case size	1885mm x 64mm x 64mm
Weight	5.5kg
Screen color	Matte white



Handwritten signature
PULL

СТЕМО
Финанс Бур
ВЯРНО С
ОРИГИНАЛА



Acer P/N	Description	EAN Code	UPC Code	JAN Code
----------	-------------	----------	----------	----------

JZ.J7400.002	Acer M87-S01MW Projection Screen 70"x70" (1:1) Wall & Ceiling Matt White Manual	4717276034542	884483883455	4515777541473
--------------	--	---------------	--------------	---------------

Handwritten signature

**ПРЕДЛОЖЕНИЕ ЗА ИЗПЪЛНЕНИЕ НА ПОРЪЧКАТА****УВАЖАЕМИ ГОСПОЖИ И ГОСПОДА,**

След запознаване с документите, обявата и Техническата спецификация за обявената от Вас обществена поръчка с предмет: „Доставка на оборудване и обзавеждане и дидактически материали във връзка с изпълнение на проект № BG05M9OP001-4.003-0030 C01 „Възможности за ранно детско развитие на ромските деца от община Сунгурларе“ по Оперативна програма „Развитие на човешките ресурси“

по обособена позиция № 1

Ние, Стемо ООД, представляван от Владислав Георгиев Димитров, с адрес за кореспонденция гр. Бургас, ул. Адам Мицкевич №5, телефон 056 840 608, факс 056 530 414, електронна поща bs.office@stemo.bg, заявяваме, че желаем да участваме в обществената поръчка и предлагаме да осъществим предмета й съгласно изискванията на Техническата спецификация и документите, както следва:

I. Съгласни сме приемането на изпълнените от нас доставки да става с двустранно подписани приемо-предавателни протоколи, като оборудването, което ще се доставя, ще се одобрява предварително от възложителя на база на представените документи, мостри и др.

II. Предлагаме изпълнението на поръчката, да се извърши по следния начин:

Да доставим предложената в техническо предложение (Образец № 11) стока в срок от 20 (двадесет) календарни дни до мястото на доставка по смисъла на чл.2(1) от приложеният проект на договор.

/участникът описва в своето предложение за изпълнение на поръчката - предложената организация на изпълнение на поръчката/

III. Предлагаме следните гаранционни срокове: **попълват се от участника.**

- 1 Преносим компютър Acer Aspire 3, A315-32-C434 – 24 месеца;
- 2 Преносим компютър с чанта Acer Aspire 3, A315-32-C434 – 24 месеца;
- 3 Мултифункционално лазерно устройство Xerox WorkCentre 3335 – 24 месеца ;
- 4 Мултимедийни проектори BenQ MW535 – 24 месеца ;
- 5 Преносими екрани за прожектиране – 24 месеца;



Handwritten signature

IV. Приемаме да отстраним всички повреди и/или дефекти, проявили се в рамките на гаранционния срок, в срок от 10 (десет) от сключване на договора.

V. Поемаме ангажимент да осигурим следгаранционно обслужване на доставеното оборудване.

VI. Декларираме, че всички артикули от доставеното оборудване ще са нови и неупотребявани.

Заявяваме, че ако поръчката бъде възложена на нас до подписване на договора настоящото предложение ще представлява споразумение между нас и възложителя.

Ние приемаме, че изборът на възложителя е единствено и изключително негово право и не подлежи на обжалване по целесъобразност.

Заявяваме, че сме запознати с условията за финансиране, както и всички документи, и приемаме да изпълним всички задължения, произтичащи от обявените условия.

ДАТА:05.07.2019г.

ПОДПИС И ПЕЧАТ:.....

Владислав Димитров (пълномощник)



Handwritten signature

Handwritten signature

ЦЕНОВО ПРЕДЛОЖЕНИЕ

До:
Община Сунгурларе

От:
Стемо ООД

С адрес на управление: гр. Габрово, ул. Николаевска № 48 и адрес за кореспонденция: гр. Бургас ул. Адам Мицкевич №5.

тел: 056 840 608, факс: 056 530 414, e-mail: bs.office@stemo.bg

ЕИК: 817080126

Разплащателна сметка:

IBAN сметка: BG48 UNCR 7630 1053 8996 23

ВІС код на банката: UNCRBGSF

Банка: УНИКРЕДИТ БУЛБАНК

Град / клон / офис: гр. Габрово

Адрес на банката: гр. Габрово, ул. Радецки 13

за участие в обществена поръчка с предмет: „Доставка на оборудване и обзавеждане и дидактически материали във връзка с изпълнение на проект № BG05M9OP001-4.003-0030 C01 „Възможности за ранно детско развитие на ромските деца от община Сунгурларе“ по Оперативна програма „Развитие на човешките ресурси“

по Обособена позиция № 1 „Избор на изпълнител за доставка на компютърна техника и офис техника“

УВАЖАЕМИ ДАМИ И ГОСПОДА,

След като се запознахме с документите и изискванията на Възложителя, предлагаме да изпълним обществената поръчка с горепосочения предмет, при следните финансови условия:

1. Ние предлагаме да изпълним поръчката за обща цена в размер на 9 995.00 лв. (словом: девет хиляди деветстотин деветдесет и пет) лева без ДДС или 11 994.00 лв. (словом: единадесет хиляди деветстотин деветдесет и четири) лева с ДДС, както следва:

№	Наименование	Брой	Ед. цена (без ДДС)	Обща цена (без ДДС)
1.	Преносим компютър	3	419.00 лв.	1 257.00 лв.
2.	Преносим компютър с чанта	7	489.00 лв.	3 423.00 лв.
3.	Мултифункционално лазерно устройство	1	457.00 лв.	457.00 лв.
4.	Мултимедийни проектори	7	585.00 лв.	4 095.00 лв.
5.	Преносими екрани за прожектиране	7	109.00 лв.	763.00 лв.

2. В предложената цена са включени всички разходи, свързани с качествено изпълнение на обществената поръчка в описания вид и обхват, в т. ч. данъци, такси, печалба, начислявани от участника, транспортни разходи и всички други присъщи разходи за осъществяване на дейността в рамките на договорения период.

3. Декларираме, че сме съгласни заплащането да става съгласно предложения начин на плащане.

Заявяваме, че ако обществената поръчка бъде спечелена от нас, настоящото Ценово предложение ще се счита за споразумение между нас и Възложителя, до подписване и влизане в сила на Договор.

Известна ни е отговорността, която носим съгласно чл. 313 от Наказателния кодекс на Република България.

ДАТА:05.07.2019г.

ПОДПИС И ПЕЧАТ:.....

Владислав Димитров (пълномощник)